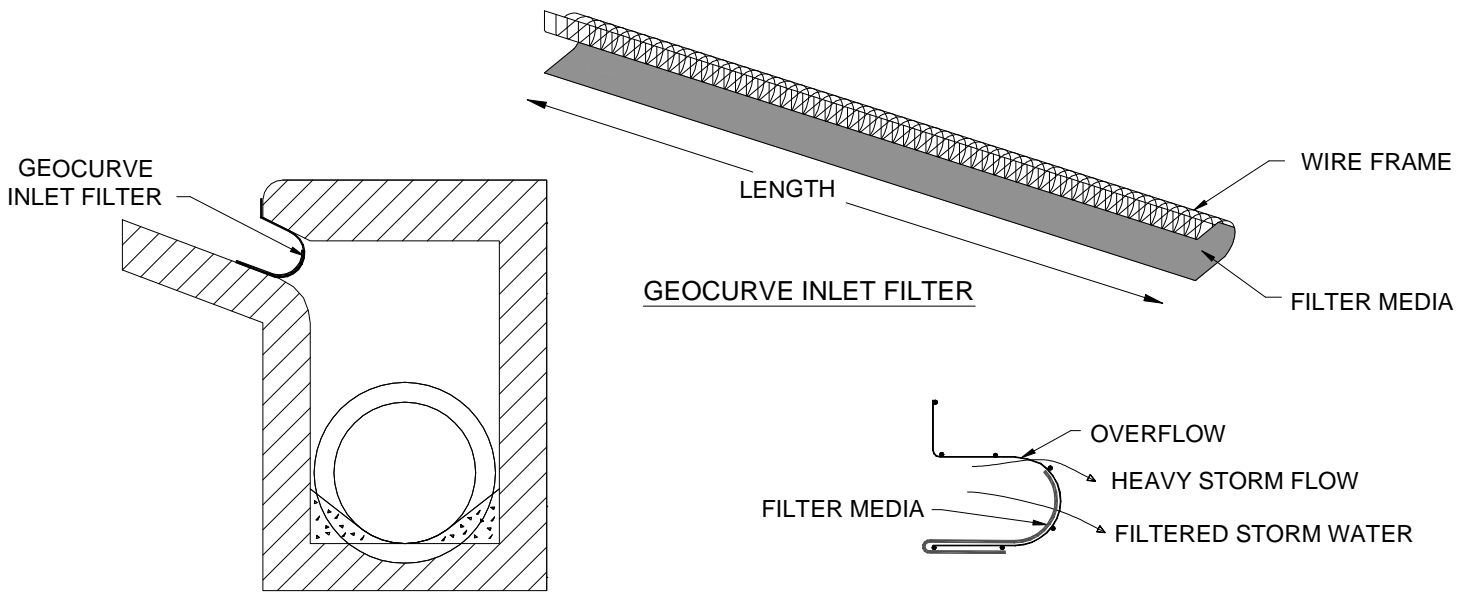


The GeoCurve Inlet Filter is a stormwater filter for placement into a stormwater curb inlet for the purpose of capturing debris and sediment that is transported by stormwater runoff. The device is comprised of a filter media (woven monofilament filter fabric) affixed to the lower portion of a “C” shaped 12 gauge welded wire frame (2” x 4” openings) with an upper retention flange. The device effectively filters stormwater, can easily be removed for maintenance and cleaning and incorporates an overflow window for heavy storm events.



CROSS-SECTION SHOWING PLACEMENT OF GEOCURVE IN CURB INLET

GEOCURVE INLET FILTER CROSS-SECTION

**FILTER MEDIA PROPERTIES: Mono-filament Woven Filter Fabric**

PROPERTY	ASTM TEST METHOD	VALUE	C.O.A. REQ'T
Fabric Weight	D 3776	4.5 oz/sy	3 oz/sy
Grab Tensile Strength	D 4632	170 lbs	----
Mullen Burst Strength	D 3786	410 lbs/sq in	120 lbs/sq in
UV Stability	D 4355	80 %	70 %
Water Flow Rate	D 4491	325 gal/min/sf	275 gal/min/sf